



SEISMIC CHART ROD STIFFENER 3/8"

TopSupports is a galvanized steel channel designed to simplify installation and seismic bracing for multiple applications, such as ventilation, electricity, plumbing, refrigeration and fire security.

NORMS OF MATERIAL AND FABRICATION

Material : High quality of pre-galvanized steel, zinc *ASTM-G-90* under the control of *ASTM-A653*. Yield strength is 33,000psi and E is 29 (10³) ksi.
Method of manufacturing : Cold bending using a series of rolls according to *AISI-S100-16* and *CSA S136-16*
Material Thickness : 18 gauge (0.049 in / 1.27 mm) & 22 gauge (0.031 in / 0.794 mm)

TS2-22B 3/8" Rod Stiffener		TS2-18B 3/8" Rod Stiffener	
Length	Load	Length	Load
in.	Lbs	in.	Lbs
12	4069	12	5724
18	3473	18	4922
24	2882	24	4114
30	2365	30	3397
36	1940	36	2801
42	1600	42	2320
48	1331	48	1936
54	1117	54	1630
60	948	60	1386
66	812	66	1188
72	701	72	1028
78	611	78	897
84	536	84	788
90	474	90	697
96	422	96	621

YouTube



Seismic Installing Competition

Legende		kl/r
k = 1	l = Length	kl/r ≤ 100
l = Length	r = Radius of Gyration	kl/r ≤ 200
		kl/r ≤ 300
		kl/r ≤ 400



~ APPROVED ~

	<p>François L'Heureux, P. Eng. f.lheureux@dsi-ing.com #PEO: 100501014</p>	Liabilities & Recommendations		
		<ul style="list-style-type: none"> - Does not include the capacity of the thread rod as well as the method of fixation between profiles. - Limited to structural resistance of profiles subjected to loads according to assumptions. Contact TopSupports for more details. 		
File Number: P-000101-100		Date: March 8th 2018	Revision: 01	

The contractor must respect codes and norms of their industry when installing products.

TS2-18B and TS2-22B:Seismic

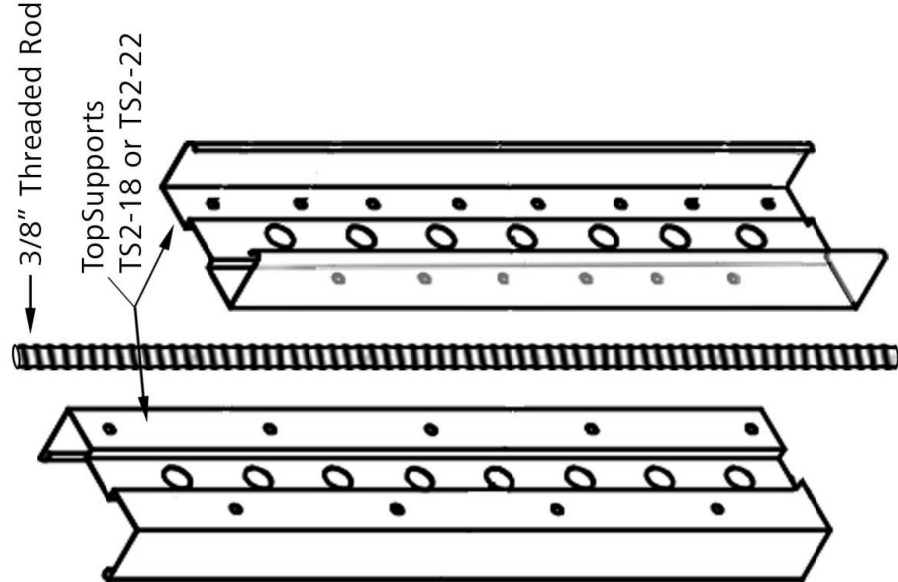
Install back to back with a threaded rod for seismic installations.



How-To-Do a TS2-18B or TS2-22B for 3/8" Rod Stiffener

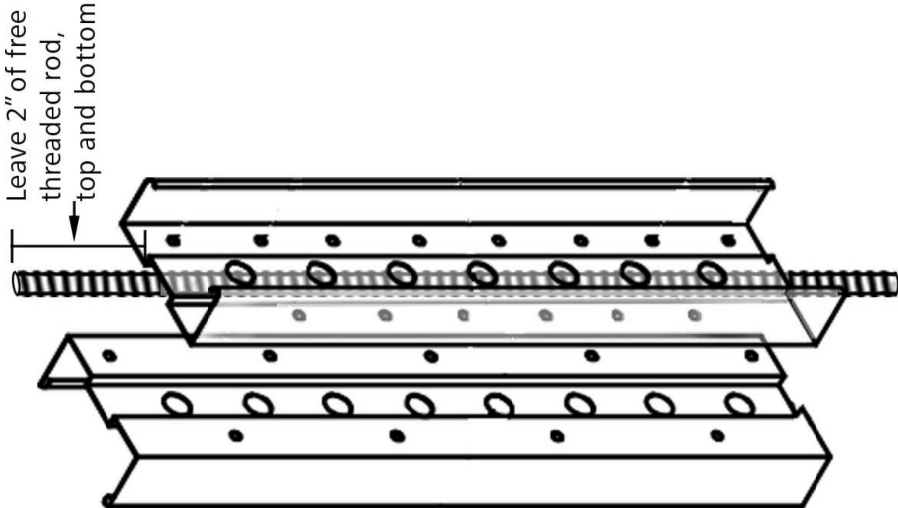
Step 1

Cut the profile TS2-18 or TS2-22 at the desired length.



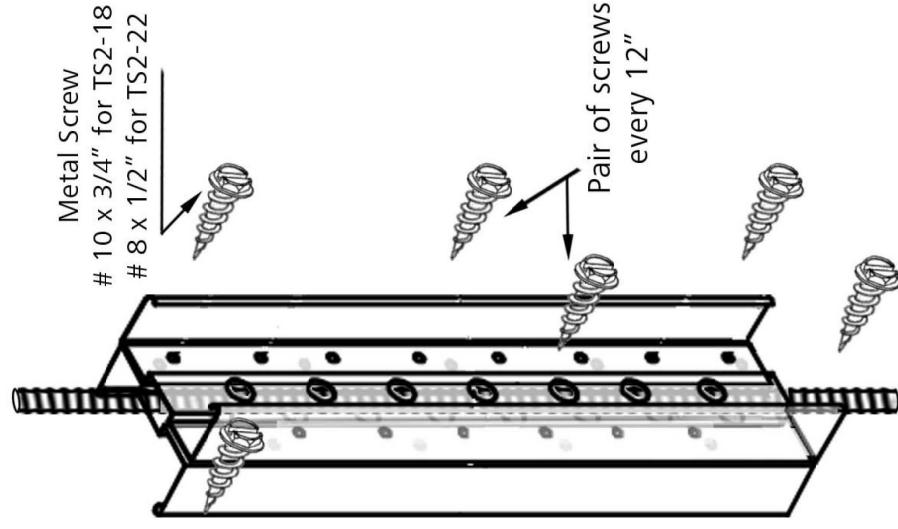
Step 2

Center the rod into the return of the profile.



Step 3

Fix it at 12" interval with a lateral pair of metal screws. Starting at 1" of the top and finish at 1" of the bottom.



Step 4

Done, make sure it has no gap at the center edge.

